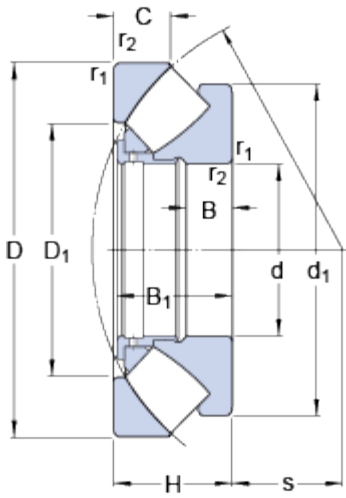


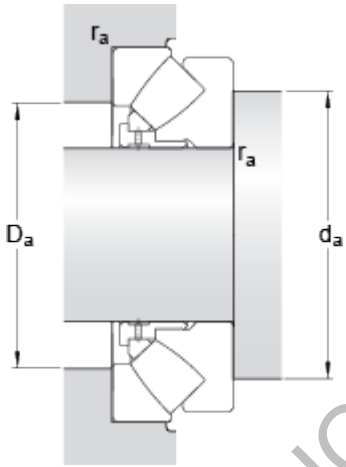
29372 E

Dimensions



d	360	mm
D	560	mm
H	122	mm
d <sub>1</sub>	≈ 540	mm
D <sub>1</sub>	≈ 448	mm
B	40.5	mm
B <sub>1</sub>	117	mm
C	59.5	mm
s	202	mm
r <sub>1,2</sub>	min. 5	mm

Abutment dimensions



d <sub>a</sub>	min. 460	mm
D <sub>a</sub>	max. 500	mm
r <sub>a</sub>	max. 4	mm

Calculation data

Basic dynamic load rating	C	2760	kN
Basic static load rating	C <sub>0</sub>	11600	kN
Fatigue load limit	P <sub>u</sub>	980	kN
Reference speed		600	r/min
Limiting speed		1100	r/min
Minimum axial load factor	A	13	

Mass

Mass bearing		110	kg
--------------	--	-----	----